



Ardax

A SYSTEM WHICH CUTS A CONSPICUOUS FIGURE



WIDE
Amplitud by BIRCH

15.6" Wide all-in-one system

The Amplitud system radically extends its capabilities and more user-friendly product design to meet your applications.

Specifications

Main Board

CPU	Intel® Bay trail Celeron J1900 Processor D/M Series (2M Cache, 2.0 GHz)
Chipset	Intel® SoC
System Memory	Max 1 DDR3L 1333 MHz SO-DIMM slots, up to 8GB
Graphic Memory	Intel® HD Graphics

LCD Panel AP-8100-25G

Panel Size	15.6"	Response Time	10 ms
Maximum Resolution	1366 x 768	View Angles (H/V)	90 / 65
Brightness	220 cd/m ²	Touch Panel	Projected Capacitive Touch
Contrast Ratio	500 : 1		

Storage

HDD	2.5" SATA III Interface x 1
-----	-----------------------------

Expansion

Socket	2 x Mini PCIE (1 x WiFi/3G, 1 x mSATA)
--------	---

Power

Power Adaptor	Input AC 100-240V 1.6A (MAX) 50/60Hz, Output DC 12V 5A
---------------	--

I / O

USB	3 x USB 2.0 (5 x USB 2.0 Optional) , 1 x USB 3.0
Serial	4 x COM ports with DB-9 Connector COM1,COM2,COM4 with 5V / 12V power , COM3 with 5V selectable
LAN	Max 1 Realtek PCI-E NIC RTL8111F for 1000Mbps
2nd VGA Output	One 15 Pin VGA Port
Audio	One Earphone & One Microphone

Control/Indicator

Power Button	One
LED Indicators	Power (Red)

Optional Peripherals

Magnetic Card Reader	ISO Track 1/2/3, USB interface
VFD customer display	20 x 2 characters, USB interface
Second display	8" TFT USB interface
RFID reader	13.56Mhz Mifare reader

Dimensions

AP-8100-T25G	399.6(W) X 193.9(L) X 294.3(H) mm
AP-8100-25G	399.6(W) X 40(L) X 252.7(H) mm

Environment

Operating Temperature	0°C ~ 40°C (32°F ~ 104°F)
Storage Temperature	- 20°C ~ 60°C (- 4°F ~ 140°F)
Operating Humidity	10% - 80% RH non condensing
Storage Humidity	10% - 80% RH non condensing

Model Select

AP-8100 - X - SS	Intel® Bay trail Celeron J1900 Processor D/M Series (2M Cache, 2.0 GHz)
X: T ---A2 desktop stand., R----A8V2 printer stand., 0 ----without stand.	
SS : 25 --- Projected Capacitive Touch	

Ordering information



AP8100-T25B:	15.6" Amplitud system, 1366 x 768, P-CAP touch, J1900/4GB RAM/64GB SSD, w/A2 stand
Optional peripherals:	Triple MSR reader, iButton, RFID reader, VFD display, 2nd TFT display

ARDAX TECH GmbH Am Schiffbeker Berg 6 D-22111 Hamburg , Germany
 TEL +49 40 466 5624 0 FAX +49 40 466 5624 55 info@ardax-tech.eu

All products, brands or companies mentioned are trademarks or registered trademarks of their respective companies. Specifications are subject to change without prior notice

15.6" AMPLITUD SYSTEM! COME INTO VOGUE.

15.6" TFT with 16: 9 ratio display all-in-one touch system comes popular standard in the commercial computing market, but they are far from satisfactory for professional applications on the "Automation" and "Vertical market" such as retail, F&B, industry... or hospitality market

In an increasingly competitive market, the 15.6" Amplitud system is an ideal system for those who appreciated professional features combined with state-of-the-art design and exceptional facilities.



It is a wallet-friendly system to own.



A Look That Drives Envy

Revolutionary
in design,
easy to upgrade,
and into multiple
applications.



Blessed with 15.6" wide-angle screen

Powerful

Created to meet the need of the majority applications, the 15.6 Amplitud built-in QuadCore J1900, Projected capacitive (P-CAP) touch, furthermore 4GB RAM and 64GB SSD as the base model

Unrivalled convenience

Removable HDD



click-out RAM



P-CAP touch True-Flat bezel design



More interfaces

Multiple applications

15.6" Amplitud supports VESA75 mount at the rear housing.

The standard model is come with desktop stand(called A2). However, you can remove the A2 stand and work for wall-mount application, or have your choice on the A8V2 stand for the " Touch-and-Print" applications.



Hand-operated screw

+ A8V2 stand



green and unnecessarily well made

More options

Other more options such 8" 2nd TFT screen, Wifi, customized interfaces..... are based on your request.



3-track MSR reader



iButton reader



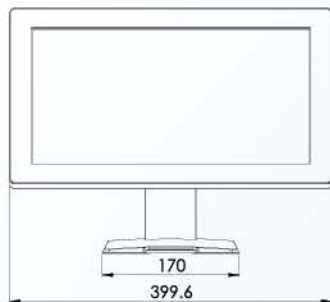
13.56Mkz Mifare reader



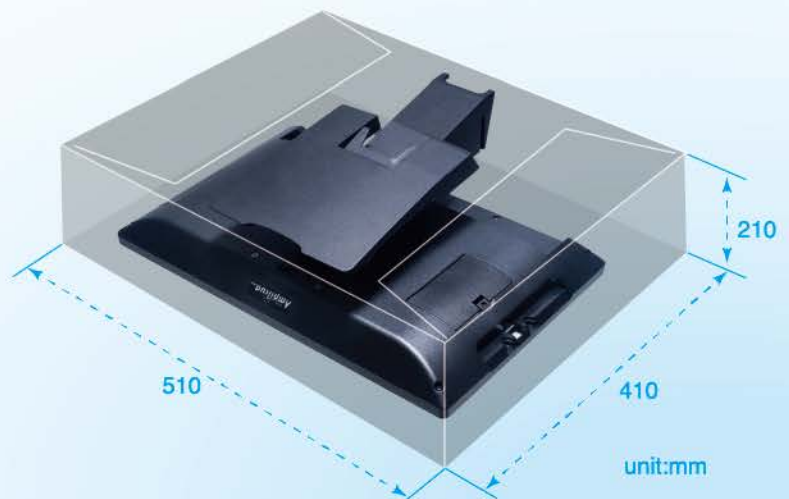
VFD display

Light Break-down Packaging

The ultimately product cost is one of the key criteria for the customers' purchase decision. 15.6" Amplitud with A2 desktop stand is packed by the "Semi-breakdown" packaging which helps a lot to save the transportation cost no matter whether the transportation way by AIR or by SEA



unit : mm



unit:mm