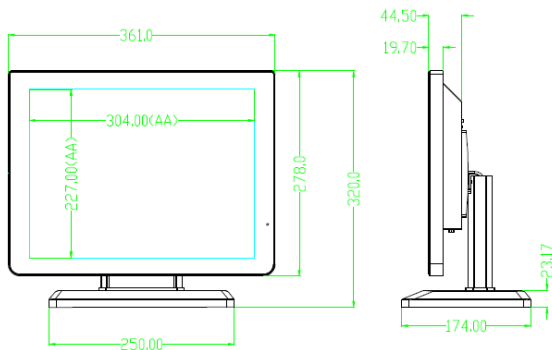


15" True Flat Industrial LCD Monitor



Features

- Flat designed projected capacitive screens
- drip-proof enclosure, Touchscreen sealed from the factory to resist against dirt and dust
- Multiple mounting options including VESA mounting option
- On screen display controls on the side rather than the front, plus lockout function for public
- Built in speakers
- Designed for touch" features such as a stable tilt stand

Model	MA150VP
Color	Black, optional White
Housing	Aluminum
Display	
Panel	15" TFT LED
Resolution	1024x768
Tilt Angle	0 - 90°
Touch Screen	
Touch Screen	True-flat capacitive
Touch Screen Interface	USB-B
Rear Control Buttons	Power, Enter, Up, Down, Menu
I/O PORTS	1 x DB-15 VGA in 1 x 12V DC in 1 x USB-B 1x HDMI in 1x DVI in
Environmental	
Operating / Storage Humidity	20% - 80% / 20% - 80%
Operating / Storage Temperature	0°C - 40°C / -20°C - 60°C
Power	
Power Supply	100-250 V / 50-60 HZ AC Power Input
Power Consumption	18W (max.)
Packing	
Packing Dimensions	460*410*250 mm
Net / Gross Weight	4.5 KG / 6.5 KG
Accessories In Packing	12V/3A Power Adapter Power Cable (various plugs) Driver Disk VGA Cable USB-B Cable